

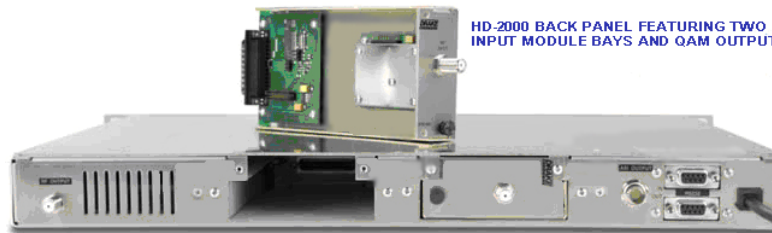


HD-2000 HIGH DEFINITION MPEG ENCODER MODULATOR WITH ASI OUTPUT

HD-2000
FRONT



HD-2000
BACK





Built to be used with:

HD-2000 Multiplexing Hybrid QAM Modulator



Multiplexing Hybrid QAM Modulator



...for multiplexing Digital HD Channels in Clear QAM.

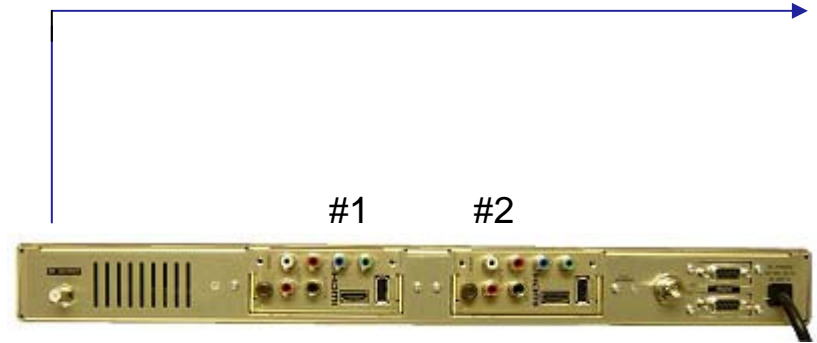
Digital Cable Receiver



DISH Network Digital Receiver

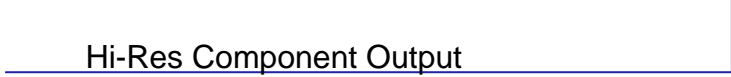


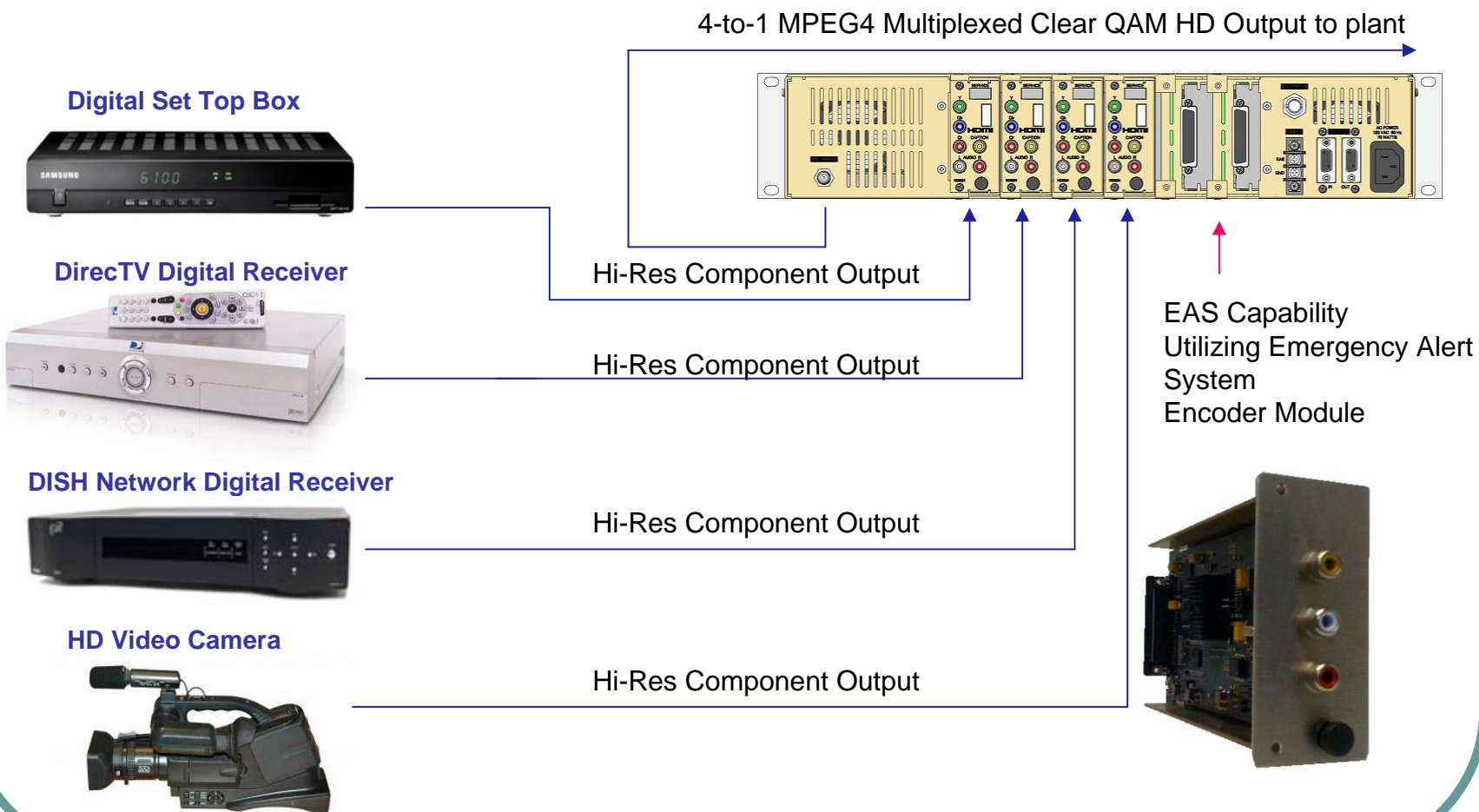
2-to-1 MPEG2 Multiplexed Clear QAM HD Output to plant



Hi-Res Component Output

Hi-Res Component Output



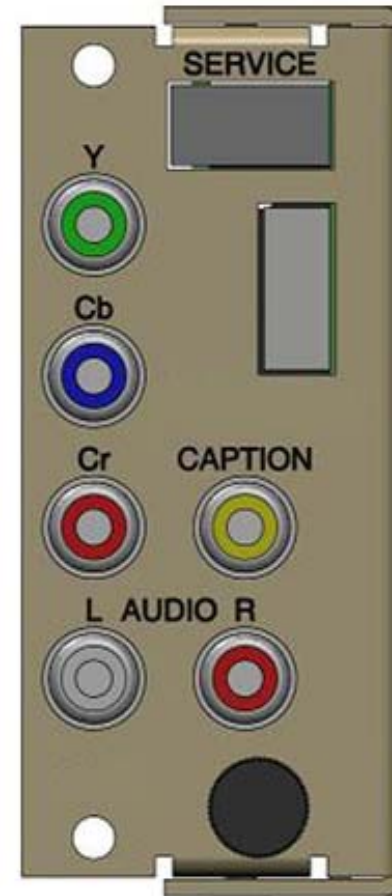


Video Inputs:

- HDMI (does not support HDCP/Copy protection)
- High-Resolution Component (YCrCb) video
- Composite (1V p-p +/-3dB, 480i only)
- Closed Caption Input Format (1V p-p +/-3dB 480i composite video input) used for Closed Captioning data extraction during HD encoding

Audio Inputs:

- RCA type L + R
- HDMI embedded audio
(Field-serviceable USB Interface for downloadable firmware updates)



Video Options:

- **Supported Input Video Modes** 480i (640x480 / 720x480 @ 30fps)
480p (640x480 / 720x480 @ 30fps)
720p (1280x720 @ 60fps)
1080i (1920x1080 @ 30fps)
Supports auto-scan for input resolution
- **Encoder format** MPEG2 or MPEG4 (H.264)
- **Video Adjustments** Brightness, Contrast, Hue, Saturation,
Sharpness
- **MPEG4 profile support** Simple, Advanced Simple, High
- **Bitrates** Up to 19 Mbps (dependent on input format)

Audio Options:

- **Encoder format** Dolby Digital AC-3 or MPEG1 Layer 2
- **Output bitrates** 320kbps

- **High Definition MPEG Encoder Module**
- **HDM-100: Standard Definition MPEG Encoder Module**
- **Encoder Host Module with Multiplexing QAM Modulator (with ASI Output)**
- **HD-2000: Multiplexing Hybrid QAM Modulator (with ASI Output)**
- **HD-1000: High Definition Digital Signage Encoder (Stand-alone with RF QAM Output)**

